



FR SERIES

FR25/35:

25,000 - 35,000 lbs.
(11-16 tonnes)



UP & DOWN LIFTING SOLUTIONS • 335 Waydom Drive, Ayr Ontario, N0B1E0

Email: rentals@upanddown.ca • Tel: 519-588-5438 or 519-575-5438 or 1-844-401-9723

www.upanddown.ca



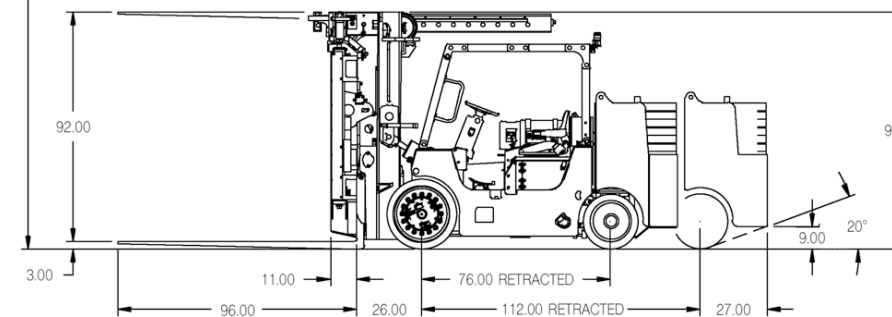
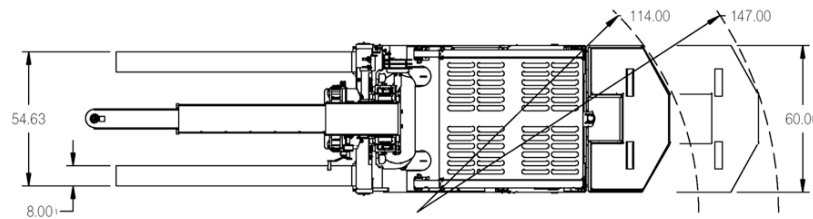
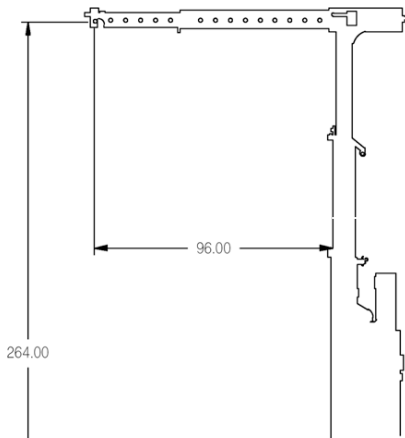
FR SERIES
FR25/35:
 25,000 - 35,000 lbs.
 (11-16 tonnes)

FORKS ONLY

COUNTERWEIGHT EXTENSION - IN (MM)	WHEELBAST IN (MM)	LOAD CENTER IN (MM)	# OF SLABS	LIFT CAPACITY LBS (KG)
0 (0)	76 (1,930)	24 (610)	0	16,300 (7,394)!
0 (0)	76 (1,930)	24 (610)	6	24,300 (11,022)
36 (914)	112 (2,845)	24 (610)	0	24,000 (10,886)
36 (914)!	112 (2,845)	24 (610)	6	35,800 (16,239)

BOOM ONLY

COUNTERWEIGHT EXTENSION - IN (MM)	WHEELBAST IN (MM)	LOAD CENTER IN (MM)	# OF SLABS	LIFT CAPACITY LBS (KG)
0 (0)	76 (1,930)	24 (610)	0	12,400 (5,625)
0 (0)	76 (1,930)	24 (610)	6	18,800 (8,528)
36 (914)	112 (2,845)	24 (610)	0	18,500 (8,391)
36 (914)	112 (2,845)	24 (610)	6	28,000 (12,700)



WEIGHTS - lbs (kg)

Counterweight: 6,720 (3,048)
Boom: 3,000 (1,360)
Forks: 1,500 (680)
Total: 34,500 (15,650)